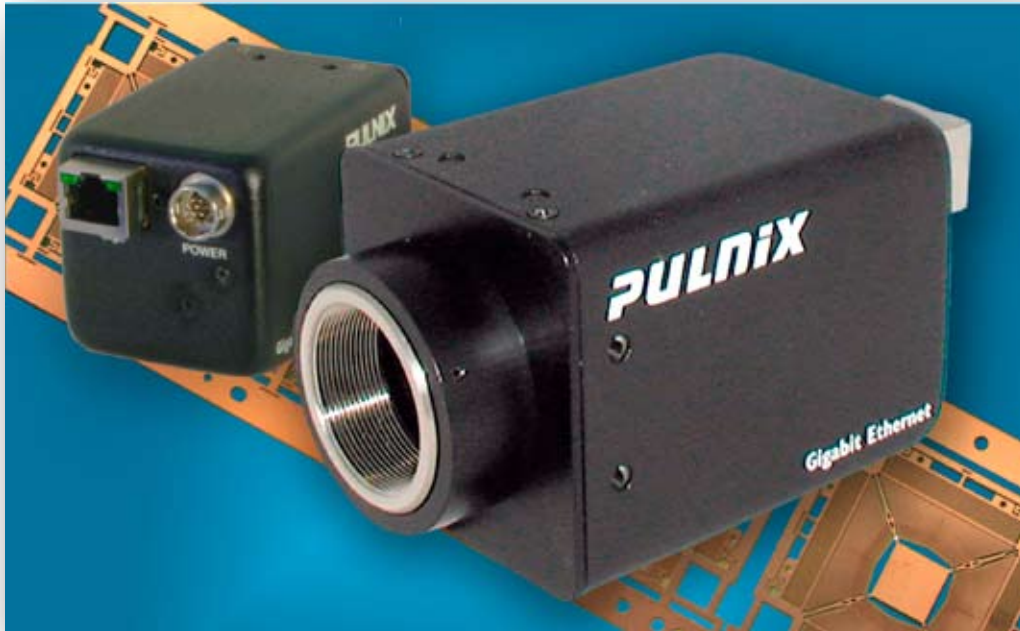


PULNiX TMC-4100GE



The TMC-4100GE is a miniature, very high-resolution (4.2 megapixels) color progressive scan CCD camera with Gigabit Ethernet output and a frame rate of 15 fps at full 2048 x 2048 resolution. The TMC-4100GE features the latest Kodak KAI-4021 interline transfer (IT) CCD imager for the best image quality and sensitivity. Applications for the TMC-4100GE include machine vision, medical imaging, intelligent transportation systems, high-definition graphics, gauging, and surveillance.

- 1.2" progressive scan IT CCD imager (KAI-4021)
- 2048 x 2048 resolution @ 15 fps
- 7.4 μm square pixels
- Miniature 51 x 51 x 85 mm housing
- Monochrome version available as TM-4100GE
- High speed point-to-point connection, up to 1Gbps
- Gigabit Ethernet output (8-bit/10-bit), 100 m with CAT 5E or CAT 6 cable
- Maximum dynamic range control with PULNiX-exclusive, patent-pending built-in look-up table
- Image center partial scan (1000, 500, 250 lines)
- Full-frame shutter to 1/16,000 sec.
- Asynchronous reset, no-delay shutter
- Extensive software developer's kit (SDK)

TMC-4100GE Specifications

Imager	1.2" progressive scan interline transfer CCD	
Active Area	15.15mm x 15.15mm	
Active Pixels	2048 (H) x 2048 (V)	
Cell Size	7.4 μm x 7.4 μm	
Display Mode (Active Pixels)	A	2048 (H) x 2048 (V) @ 15 Hz
	B	2048 (H) x 1000 (V) @ 28 Hz (partial scan)
	C	2048 (H) x 500 (V) @ 50 Hz (partial scan)
	D	2048 (H) x 250 (V) @ 80 Hz (partial scan)
Sync	Internal/External auto switch HD/VD, 4.0 Vp-p impedance 4.7k Ω VD=14.79 Hz ± 2%, non-interlace HD=30.78 kHz ± 2%	
Data Clock Output	40.00 MHz	
Resolution	Digital: 2048 (H) x 2048 (V)	
S/N Ratio	50 dB min.	
Min. Illumination	0.8 lux Sensitivity: 31μ V/e- f=1.4 (no shutter) @ 15 fps	
Video Output	Gigabit Ethernet	
Gamma	Programmable LUT (Gamma 1.0 std)	
Lens Mount	C-mount (use >1" format lenses)	
Power Requirement	12V DC ± 10%, 590 mA (typical at 25 ° C)	
Operating Temp.	-10 ° C to 50 ° C	
Vibration	7 Grms (10 Hz to 2000 Hz) Random	
Shock	70G, 11 ms, half-sine	
Size (W x H x L)	51mm x 51mm x 85mm	
Weight	197 grams, 6.9 oz (without tripod mount)	

MUST BE ORDERED SEPARATELY

Optional Functions	Optical Filter Removal (OP3-2); 10-bit output (OP93-1)
Optional Accessories P/N	
Power Cable	12P-02S
Power Supply	PD-12UUP series (includes power connector)

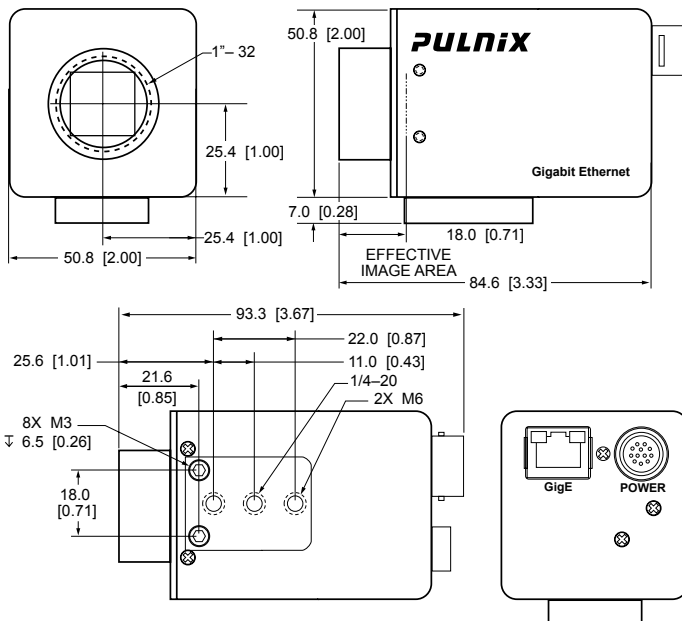
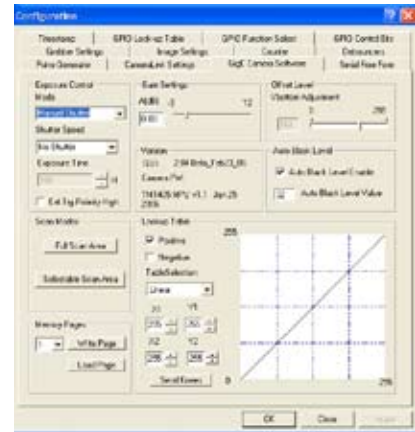
* Image quality will degrade with increasing temperature.

Graphical User Interface

A user-friendly GUI (graphical user interface) is provided. This interface allows users to control the following functions of the TMC-4100GE camera:

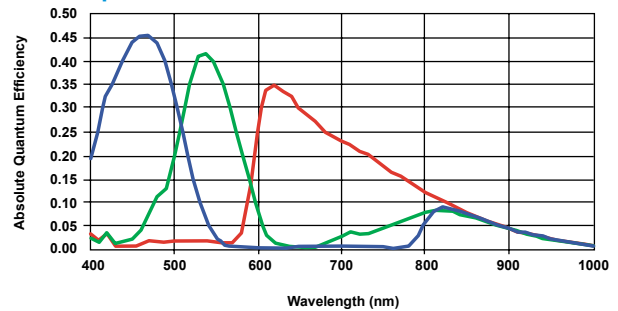
- Shutter control for manual async. and pulse width control
- Gain control
- Offset control
- Save settings
- Load settings
- Report settings
- LUT setting
- Scanning mode selection
- Channel Auto Balancing

Camera parameters can be uploaded from the PC to the camera. Once these parameters are stored in EEPROMs, an instantaneous change from one setting to another can be done with a delay of a few frames in between.



Software available for download at www.jai.com

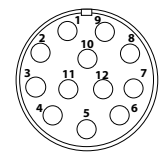
Spectral Response



TMC-4100 1.2" 2048 (H) x 2048 (V) KAI-4021

12-Pin Connector

- | | |
|-----------------|--------------|
| 1 GND (power) | 7 VD in |
| 2 +12V | 8 Strobe |
| 3 GND (analog) | 9 HD in |
| 4 Video out | 10 Reserved |
| 5 GND (digital) | 11 INTEG/ROI |
| 6 VINIT in | 12 Reserved |



JAI A-S, Denmark
Phone: +45 4457 8888
www.jai.com

JAI UK Ltd., England
Phone: +44 (0) 189 582 1481
www.jai.com

JAI Corporation, Japan
Phone: +81 045 440 0154
www.jai-corp.co.jp

JAI PULNiX, Germany
Phone: +49-(0) 60 55-93 79-10
www.jaipulnix.com

JAI PULNiX Inc., USA
625 River Oaks Pkwy
San Jose
CA 95134
USA

Phone +1 408-383-0300
(toll-free) 1 800 445 5444
Fax +1 408 383 0301
www.jaipulnix.com

JAI
PULNiX
www.jaipulnix.com